

Ref: 39.018

Features:

- Universal AC input / full range
- Built-in active PFC function
- High efficiency up to 90%
- Forced air cooling by built-in DC fan with fan speed control function
- Protections: short circuit, overload, over voltage, over temperature
- Degree of protection: IP20



Output	Power	320W
	Voltage (V)	24V
	Rated current	13.4A
	Current range	0 ~ 13.4A
	Ripple and noise (max.)	150mV
	Voltage adj. range	20 ~ 26.4A
	Voltage tolerance	± 1.0%
	Line regulation	± 0.3%
	Load regulation	± 0.5%
	Setup, rise time	1500ms, 50ms / 230VAC - 3000ms, 50ms / 115VAC at full load
Input	Voltage range	88 ~ 264VAC - 124 ~ 370VDC
	Frequency range	47~63Hz
	Power factor	PF ≥ 0.95/230VAC - PF ≥ 0.98/115VAC (full load)
	Efficiency	89%
	AC current	4A / 115VAC - 2A / 230VAC
	Inrush current	20A / 115VAC - 40A / 230VAC
	Leakage current	< 1mA / 240VAC
Protection	Overload	105 ~ 135%
	Over voltage	27.6 ~ 32.4V (shut down o/p voltage, re-power on the recover)
	Over temperature	Shut down o/p voltage, recovers automatically after temperature goes down
Environment	Working temperature	-30 ~ +70°C
	Working humidity	20 ~ 90% RH non-condensing
	Storage temperature humidity	-40 ~ +85°C, 10 ~ 95% RH
	Temperature coefficient	± 0.03% °C (0 ~ 50°C)
	Vibration	10 ~ 500Hz, 2G 10min / 1cycle, period for 60 min. each along X, Y, Z axes
	Degree of protection	IP20
Other	MTBF	206.5K hrs min. MIL-HDBK-217F (25°C)
	Dimension	215x115x30mm
	Packing	1 unit
	Guarantee	3 years



Assembly and Safety Information

Applied standards CE:

- EN 62368-1
- EN 61000-3-2
- EN 61000-3-3
- EN 61000-4-2
- EN 61000-4-3
- EN 61000-4-4
- EN 61000-4-5
- EN 61000-4-6
- EN 61000-4-8
- EN 61000-4-11
- EN 62368-1
- EN 55032
- EN 55024

Applied standards CB:

- IEC 60950-1

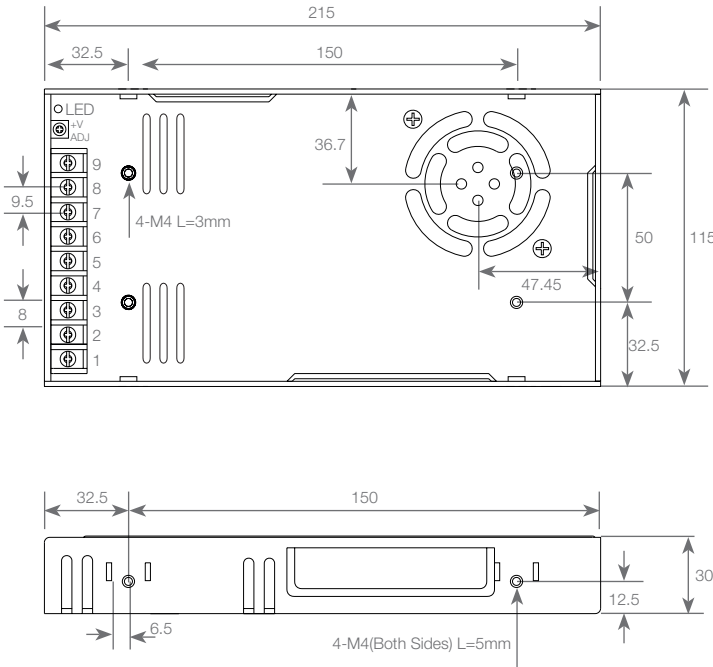
Applied standards UL:

- UL 62368-1

Applied standards CCC:

- GB 4943.1
- GB 9254
- GB 17625.1

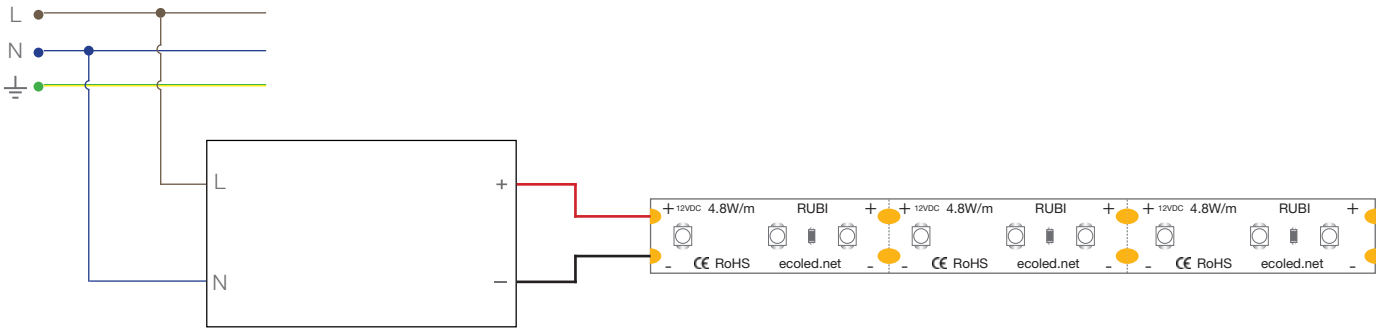
Measurements:



Terminal Pin No. Assignment

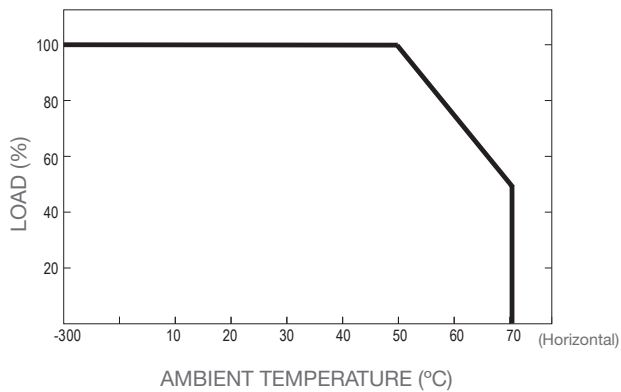
Pin No.	Assignment	In No.	Assignment
1	AC/L	4 ~ 6	DC OUTPUT -V
2	AC/N	7 ~ 9	DC OUTPUT +V
3	FG \perp		

Diagram:



Type performance graphs

Derating Curve



Static Characteristics

